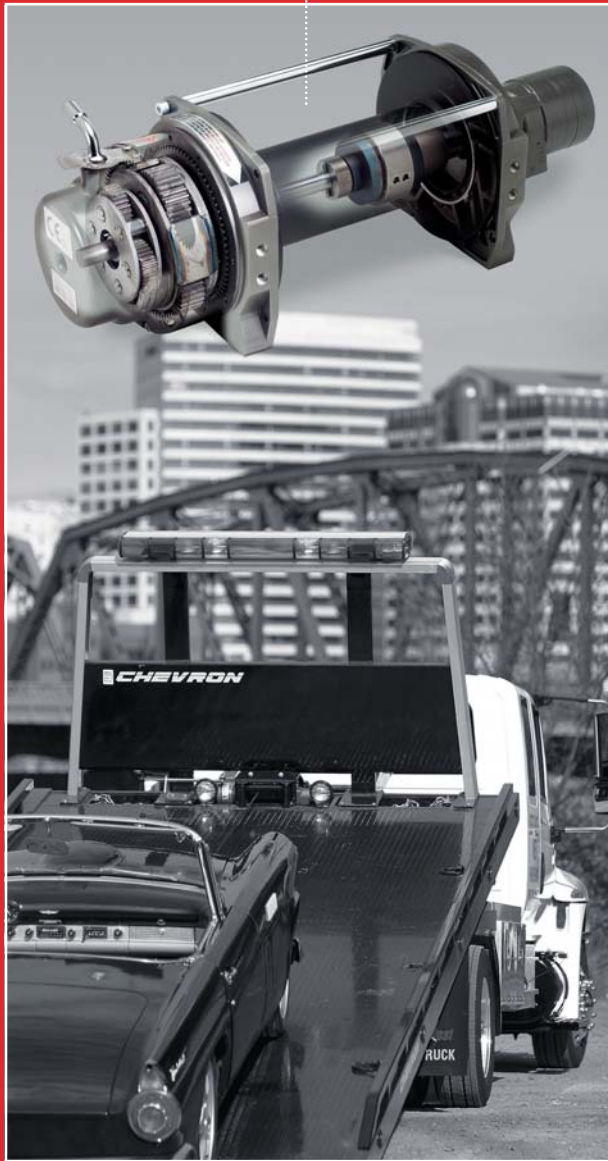


WHY BEING IN THE RED IS GOOD FOR THE TOWING BUSINESS



WARN®
Planetary Gear
Winches



THE REASONS WARN PLANETARY GEAR WINCHES ARE SUPERIOR TO THE COMPETITION ARE RIGHT HERE IN RED AND WHITE.

Planetary gear trains deliver greater efficiency for pulling or lifting tasks and faster line speeds than any other type of gear train. This extra performance translates into greater productivity. Quieter operation and lower maintenance are added benefits.

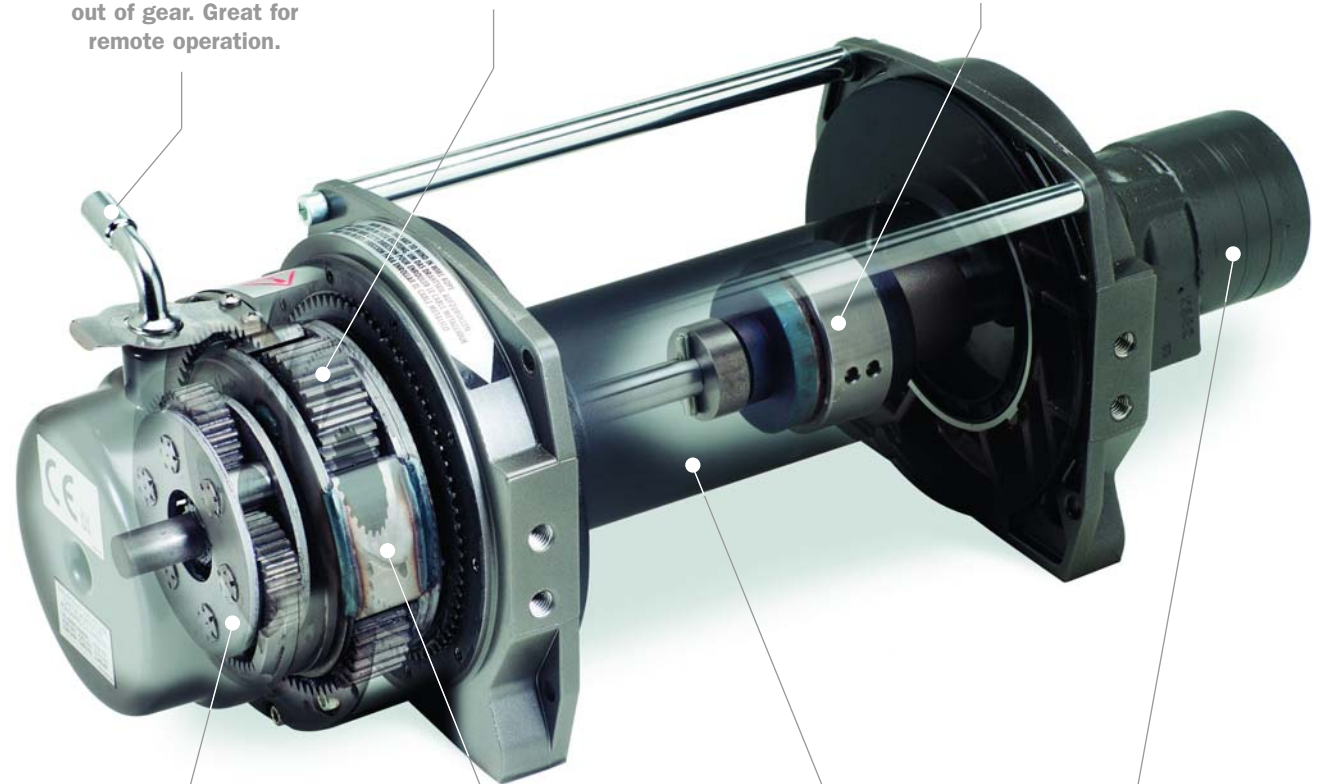
You'll also find attention to details that operators appreciate. Features like heat treated gears, an automatic disc brake (SAE J706 compliant), easy wire attachment, and locking clutch levers which virtually eliminates having the winch pop out of gear and releasing the load.

WARN SERIES 9 & 12 HYDRAULIC WINCHES

Positive locking clutch with velvet smooth action. No springs or jumping out of gear. Great for remote operation.

Hardened steel, 2-stage planetary gear train for efficient and reliable operation

Automatic, self-locking Disc Brake. Completely independent of hydraulic counter-balance valve, or special control spool valves. Complies fully with SAE J706 standard, up to 15,000 lb. capacity.



Easy access and servicing. All internal components are available as complete assemblies.

Efficient planetary gear design allows for long-term lubrication with grease (no oil leaks).

Larger 4-inch drum diameter for longer wire rope life with less kinking.

Heavy duty, high-flow Parker motor



LINE SPEED COMPARISON

Time is money – and in the towing business it can also mean safety. The towman needs to clear the highway as soon as possible. Your operators can't afford to waste even a minute. The WARN planetary gear design delivers fast line speeds, up to **three times faster** than the typical worm gear design.

WARN Planetary

WARN Series 9 Hydraulic, 27:1 gear ratio

PERFORMANCE SPECS 7/16" (11MM) Wire rope size

Layer	Line Pull lbs.	Line Speed at 15 GPM (57 l/min) ft. min.
1	9000	47
2	7670	56
3	6710	65

Worm

Typical Worm Gear 8000, 46:1 gear ratio

PERFORMANCE SPECS 7/16" (11MM) Wire rope size

Layer	Line Pull lbs.	Line Speed at 15 GPM (57 l/min) ft. min.
1	8000	16
2	6700	20
3	5700	22



Warn Industries, Inc.
12900 S.E. Capps Road,
Clackamas, OR USA 97015-8903

Customer Service:
1.800.543.9276
www.warn.com



Series 9 Hydraulic

The Series 9 hydraulic features a 2-stage planetary gear train with a total reduction of 27:1. This winch uses a heavy duty automatic disc brake and a locking clutch lever. The 4" (102mm) steel drum provides excellent durability for the wire rope. Designed to meet SAE J706 and CE standards.

PN 30281 (Anti-clockwise drum rotation)

- Maximum rated load: 9000 lbs (4091kg)
- Maximum wire rope recommended: 1/2" 26600 lbs (12091kg) minimum breaking strength
- Maximum input flow: 12 USGPM (45 L/MIN)
- Drum barrel diameter: 4.0" (102 mm)
- Drum flange diameter: 8.24" (209 mm)
- Distance between flanges: 9.95" (253 mm)
- Hydraulic Motor: 3.0 cu in (49.2 cc)
- Gear ratio: 27:1



Series 12 Hydraulic

The Series 12 hydraulic features a 2-stage planetary gear train with a total reduction of 36:1. This winch uses a heavy duty automatic disc brake and a locking clutch lever. The 4" (102mm) steel drum provides excellent durability for the wire rope. Designed to meet SAE J706 and CE standards.

PN 30285 (Anti-clockwise drum rotation)

- Maximum rated load: 12000 lbs (5440kg)
- Maximum wire rope recommended: 1/2" 26600 lbs (12091kg) minimum breaking strength
- Maximum input flow: 16 USGPM (60 L/MIN)
- Drum barrel diameter: 4.0" (102 mm)
- Drum flange diameter: 8.24" (209 mm)
- Distance between flanges: 9.95" (253 mm)
- Hydraulic Motor: 4.8 cu in (78.7 cc)
- Gear ratio: 36:1